

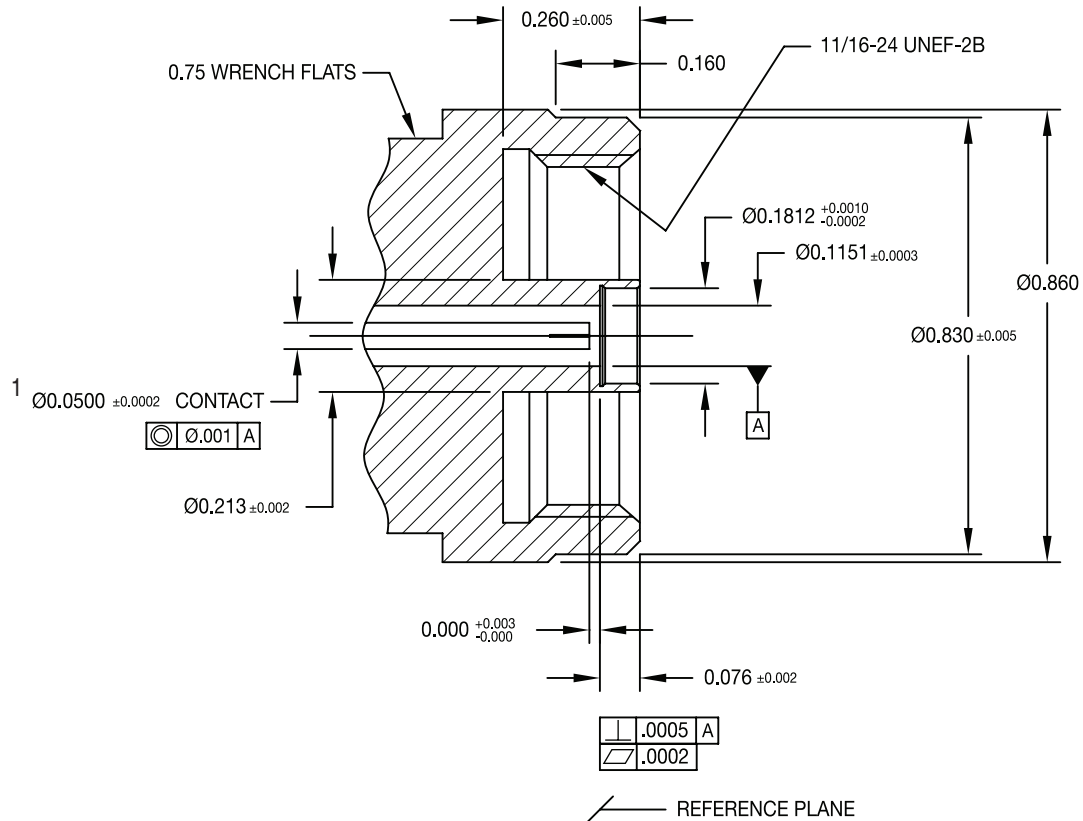
# PRECISION NMD2.92mm (K) COAXIAL CONNECTORS

## INTERFACE DIMENSIONS

### Description

The NMD2.92mm (K) female connector is a ruggedized test-port connector used for stable connection to a network analyzer. The NMD female connector is only mateable to a NMD male connector via external threads on the male nut.

**NOTE:** 2.92mm connectors are mateable to 3.5mm connectors.



<sup>1</sup> The female center contact is designed to mate with a (nominal) 0.0365-inch diameter male contact pin. However, it is capable of making proper electrical contact with a 0.035-inch diameter (minimum) to 0.037-inch diameter (maximum) male contact pin, with a maximum length of 0.075-inch over the 0.035-inch to 0.037-inch diameter range. Also, the diameter over the slots is larger to compensate for the slot reactance.