

PRECISION NMD2.4MM COAXIAL CONNECTORS

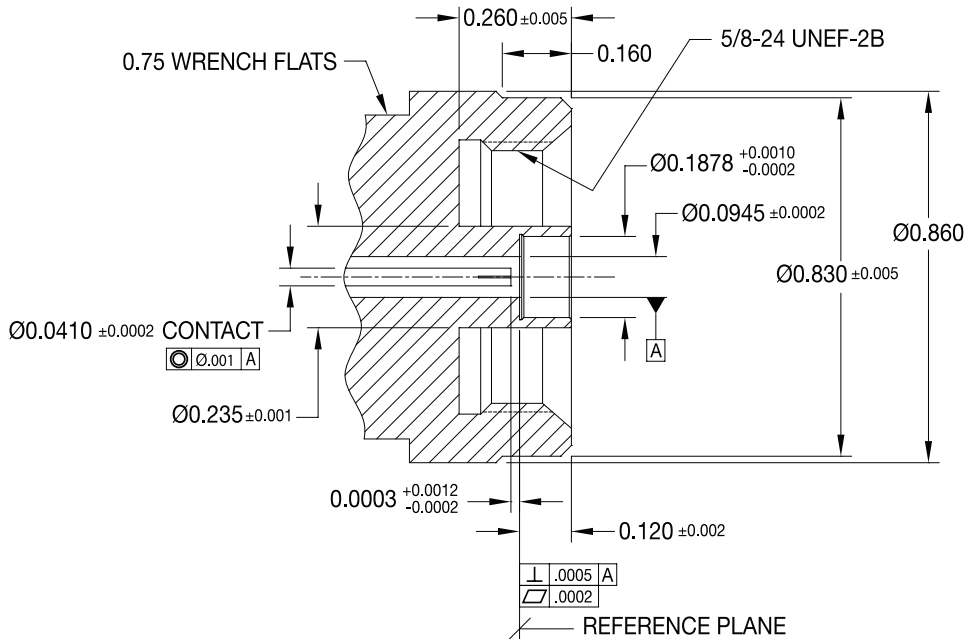
INTERFACE DIMENSIONS

Description

The NMD2.4mm male and female connectors are ruggedized test-port connectors used for stable connection to a network analyzer. NMD female connectors are only mateable to NMD male connectors via external threads on the male nuts.

NOTE: 2.4mm connectors are mateable to 1.85mm connectors.

FEMALE



MALE

