

# PRECISION 2.4mm (GPC2.4) COAXIAL CONNECTORS

## INTERFACE DIMENSIONS

### Description

Precision 2.4mm (GPC2.4) connectors are miniature, instrument grade, air-interface connectors that operate mode-free up to 50 GHz. They feature extremely low VSWR and insertion loss, and are designed to non-destructively mate with standard

2.4mm connectors. These connectors generally have a high performance support bead and comply with proposed IEEE standard 287 general precision connector, instrument grade—GPC2.4.

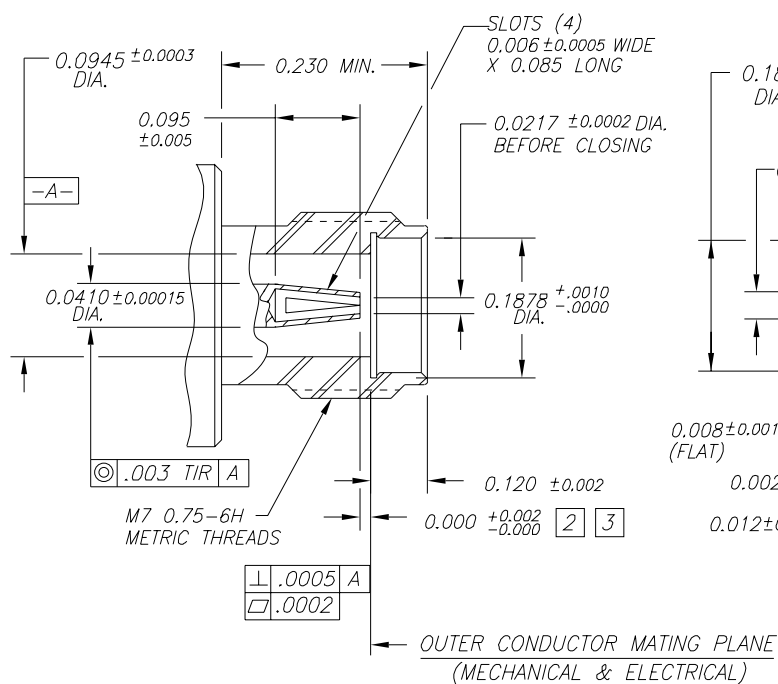


Figure 1: Female 2.4mm connector

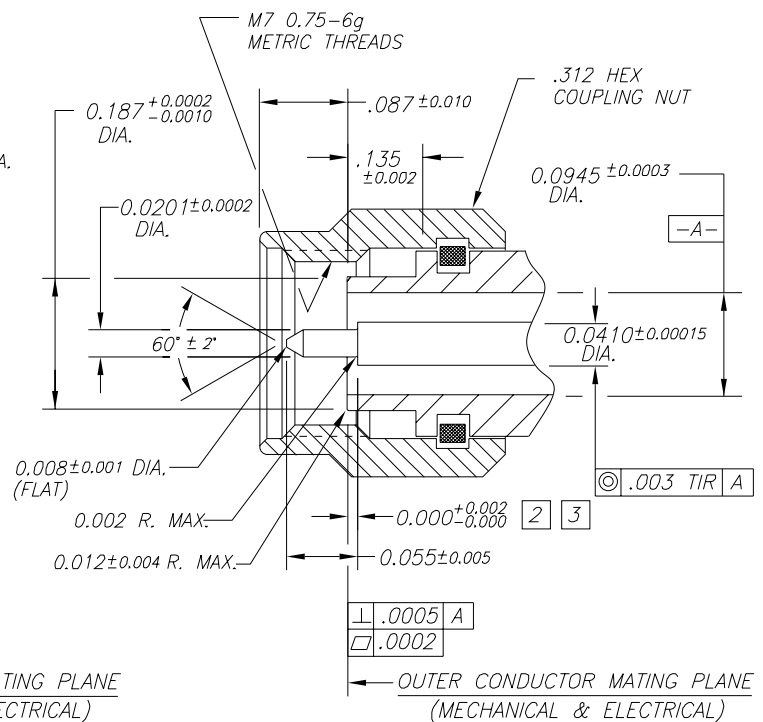


Figure 2: Male 2.4mm connector

- 1 The female center contact is designed to mate with a 0.0201 inch diameter, nominal, male contact pin. However, it is capable of making proper electrical contact with a 0.0199 minimum to 0.0203 maximum inch diameter male contact pin. Also, the diameter over the slots is larger to compensate for the slot reactance.
- 2 Maury's connector gage kit model A035C is designed to properly gage the contact pin locations of these connectors.
- 3 Tighter tolerances can be used at user's discretion. For high precision measurements, Maury recommends +0.0001 to +0.0015 for center contact pin shoulder recession behind the outer conductor mating plane.