

INTERFACE DIMENSIONS

LPC7A COAXIAL CONNECTOR

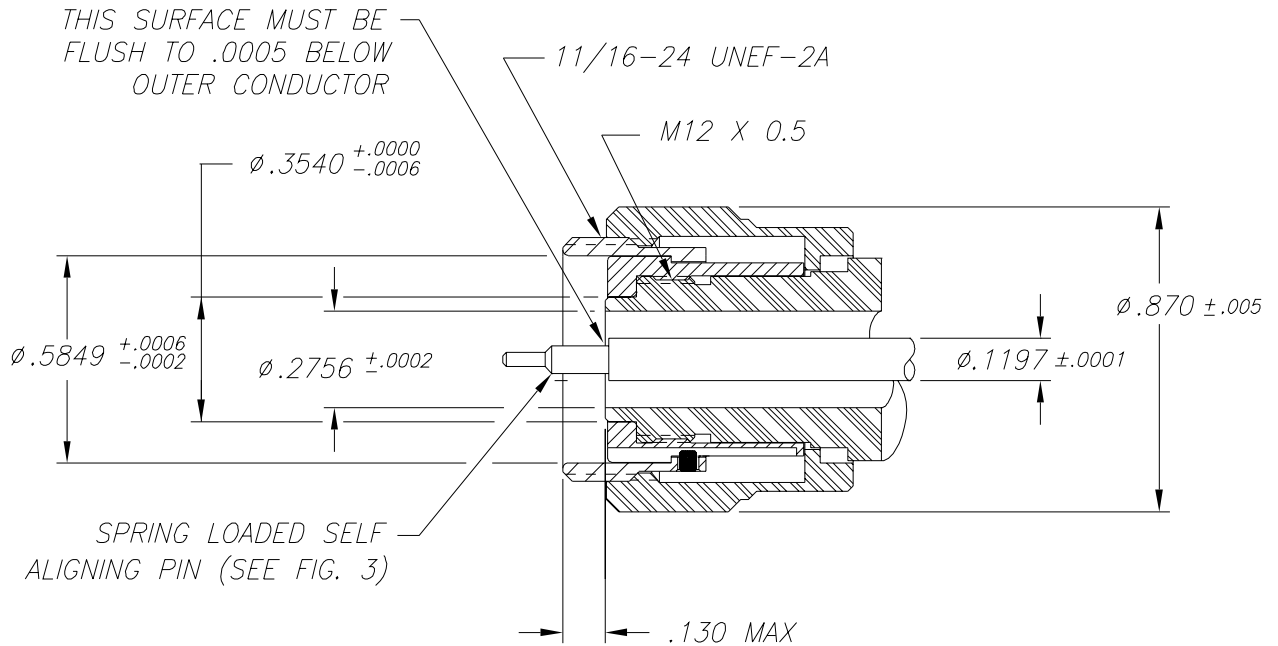


Figure 1: Sleeve Extended (LPC7)

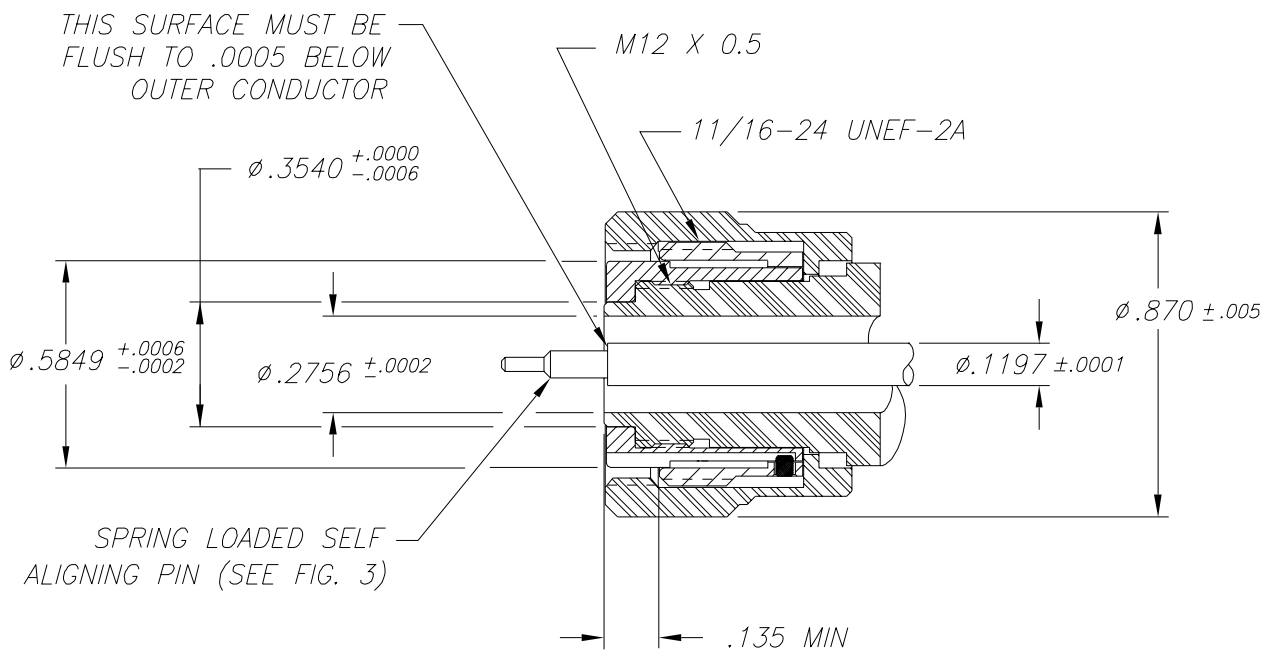
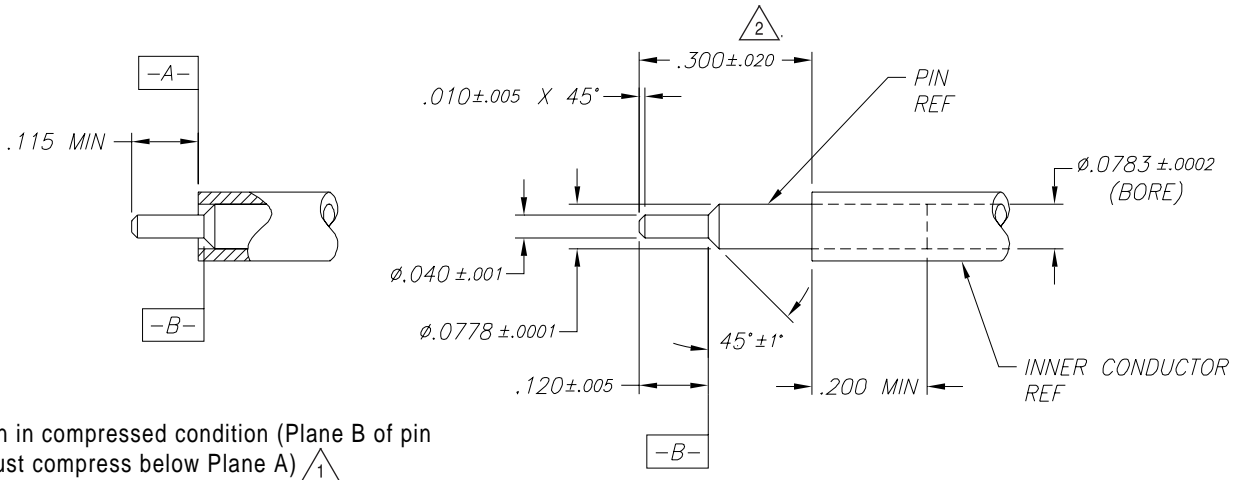


Figure 2: Sleeve Retracted (LPC7)



a) Pin in compressed condition (Plane B of pin must compress below Plane A) $\triangle 1$

$\triangle 1$ Based on 0.8 lbs. maximum $\triangle 2$ Dimension on 2653C to H air lines is 0.225 ± 0.020

Figure 3: Spring Loaded Self-Aligning Pin

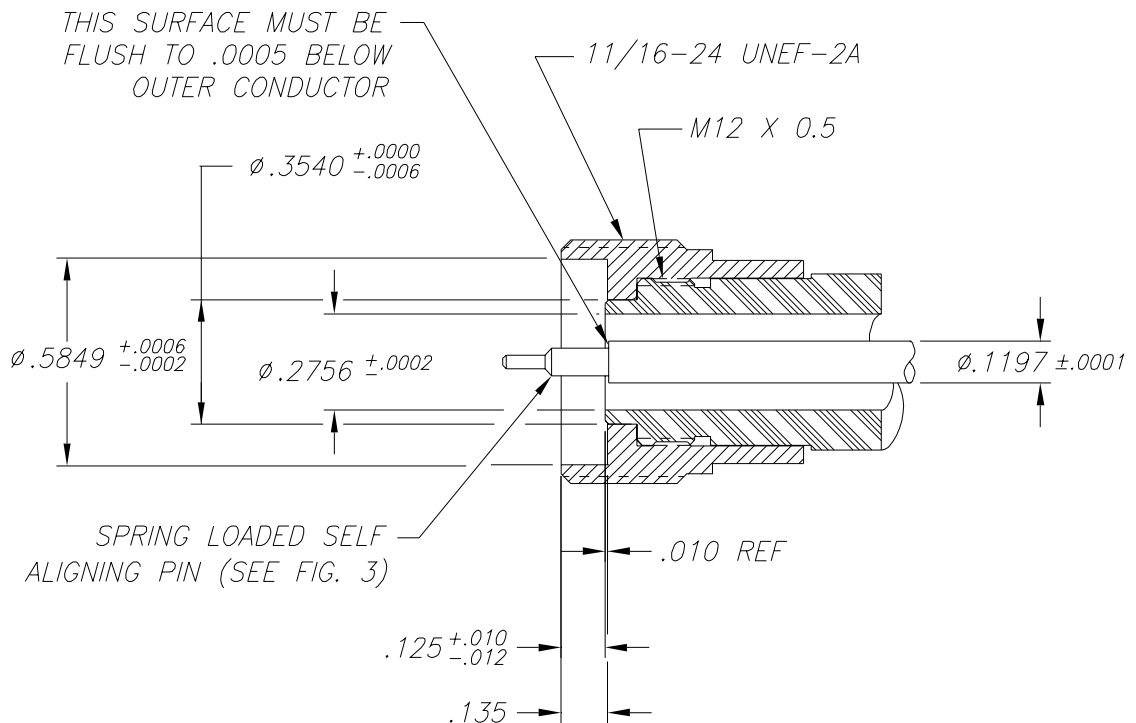


Figure 4: Rigid Coupling (LPC7F) – Provided on 2653S() Series Air Lines