

PRECISION TNC CONNECTORS

MIL-C-87104/2 (AFTNC) INTERFACE DIMENSIONS

Description

These TNC connectors are designed to be fully compliant with MIL-C-87104/2 "AFTNC" interface dimensions. As a mated pair, the connectors exhibit low VSWR and are designed to operate to 19 GHz. Maury provides these connectors as components supplied with their 8680 (MIL-C-87104/2) series calibration kits. The MIL-C-87104/2 TNC connector has tightly controlled mating dimensions, and we recommend they be used with only MIL-C-87104/2

connectors for optimum performances. When mated to TNC connectors governed by other specifications, reduced performance can be expected.

Connector bodies are made from stainless steel, and contacts are made from gold plated and heat treated beryllium copper contacts to insure long life and reliability. The male outer conductors are provided less slots to insure repeatable calibration results.

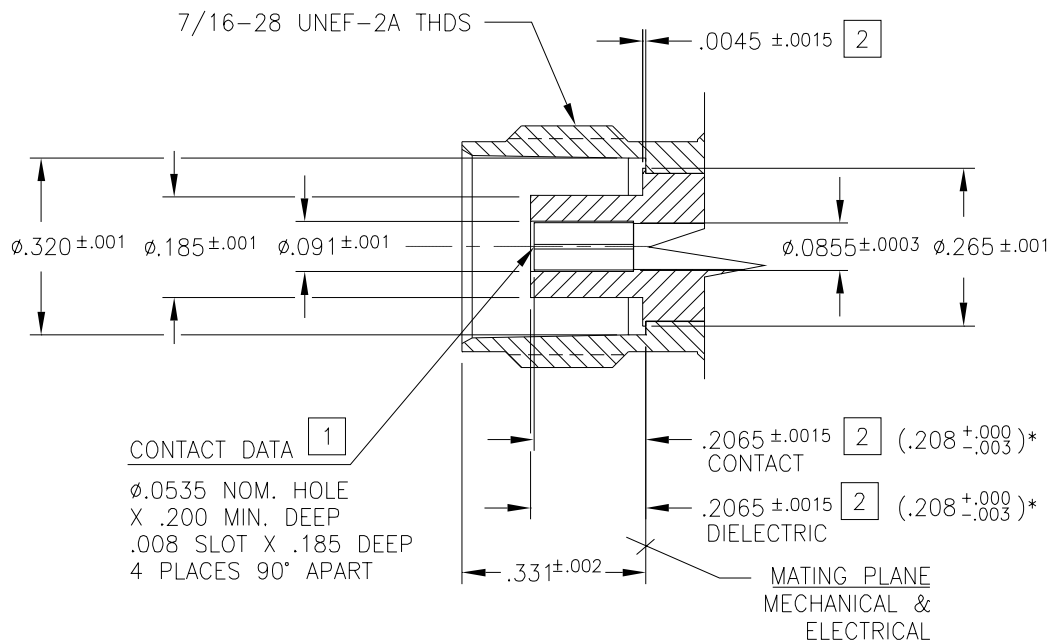


FIGURE 1: FEMALE CONNECTOR

* Polarized dimensions are shown in parenthesis.

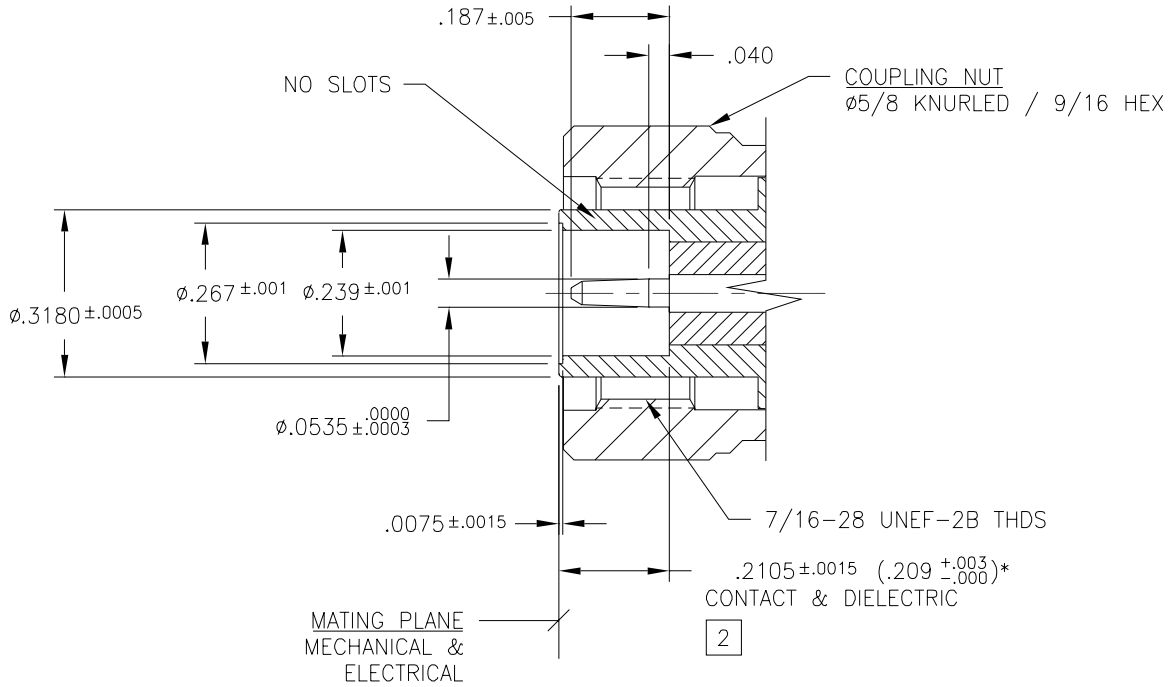


FIGURE 2: MALE CONNECTOR

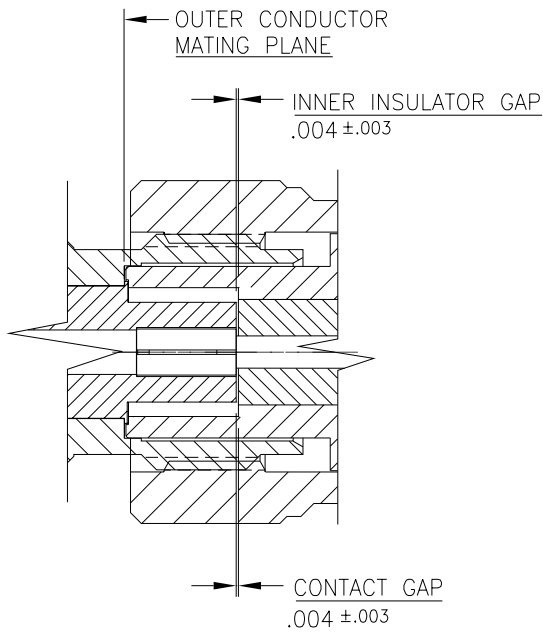


FIGURE 3: MATED PAIR

1 The diameter over the slots shall be 0.0855 ± 0.0005 diameter with a 0.0535 ± 0.00005 diameter x 0.050 pin inserted in the contact.

2 Dimensions flagged with this note can be inspected with connector gage model A012E.