

PRECISION HN CONNECTORS

MPC/HN INTERFACE DIMENSIONS AND CRITICAL COAXIAL LINE PARAMETERS

Description

Maury Microwave's precision HN connectors are designated as MPC/HN and the critical interface parameters are provided in [Figures 1](#) and [2](#). MPC/HN connectors will mate with HN connectors produced per MIL-C-3643A. These connectors are normally supplied with the shells made from stainless steel (other materials are used for specific

applications) with gold plated and heat treated beryllium copper female contacts for the female connectors and gold plated brass contacts for the male connectors. MPC/HN connectors are provided on Maury precision components and can be supplied as basic connectors for specific applications.

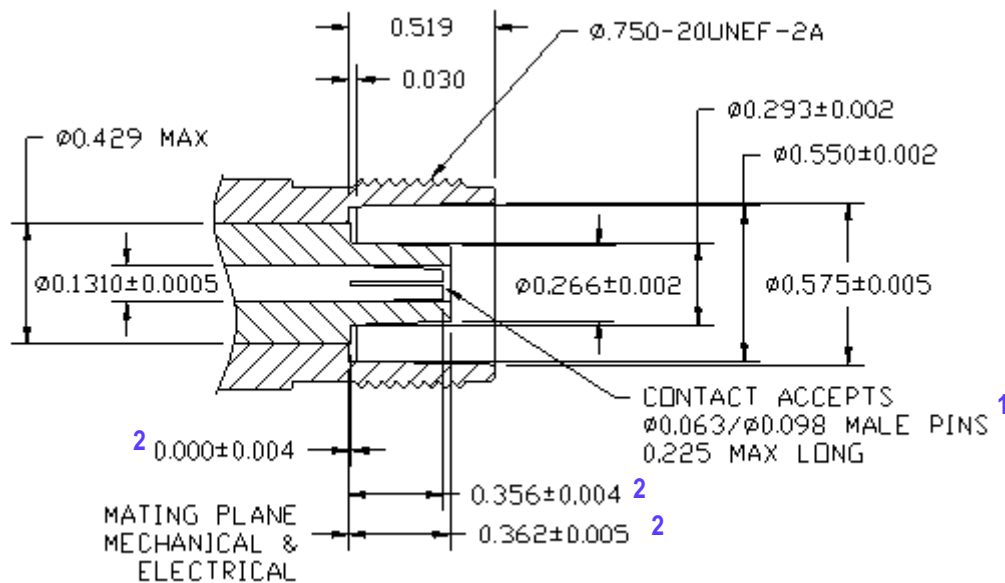


Figure 1. HN Female Connector

Notes

¹ The diameter over the slots shall be 0.1310 ± 0.001 diameter with a 0.065 ± 0.0005 diameter x .187 long pin inserted in the contact.

² Dimensions flagged with this note can be inspected with connector gage A026A.

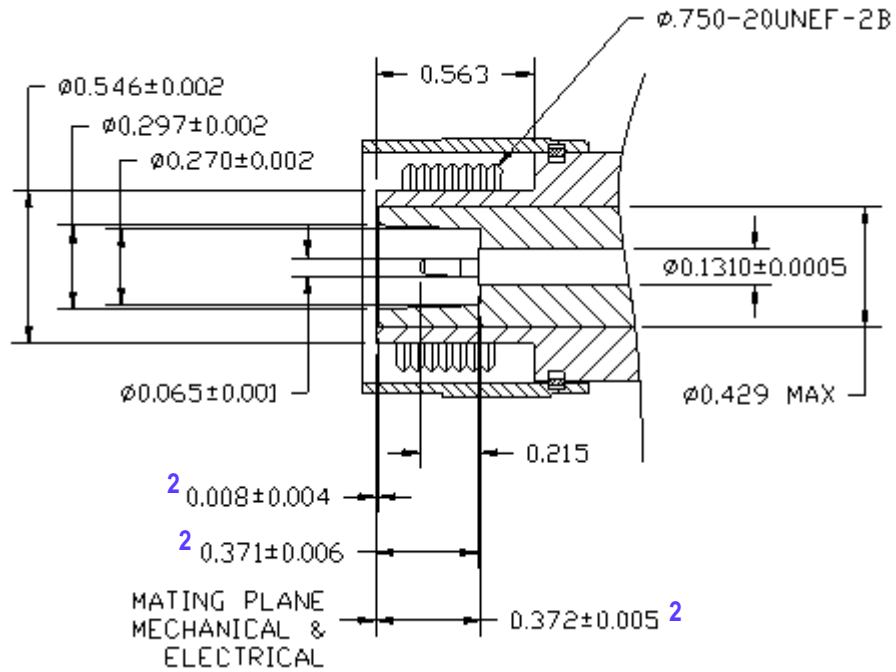


Figure 2. HN Male Connector