

# LPC / 7-16 CONNECTORS

## INTERFACE DIMENSIONS

### Description

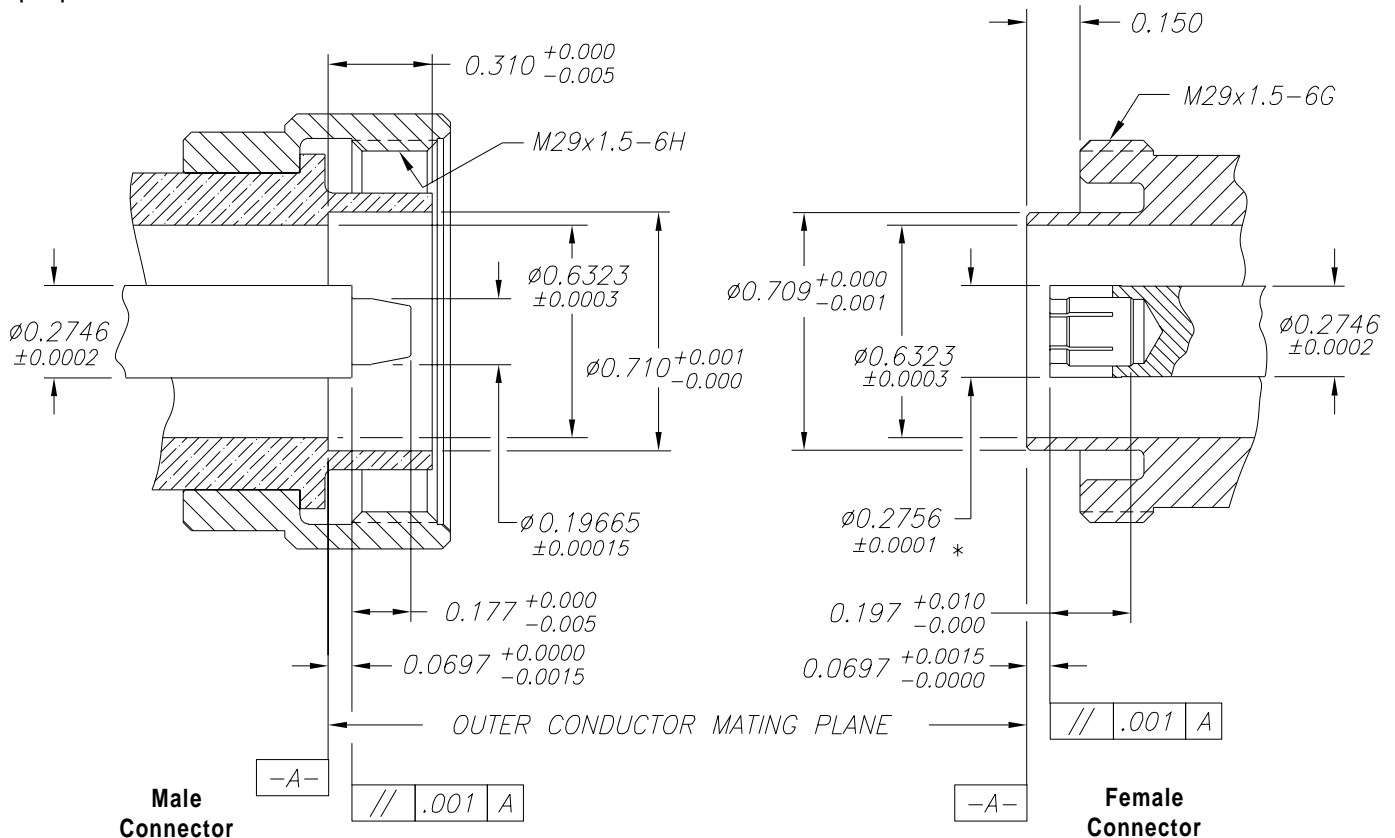
This 7-16 interface is designed to provide a standard test interface that is tighter controlled than the grade "0" standard test connectors specified by European Standard EN 122190 and British Standard BSEN 122190. This interface also complies with the requirements of the "Reference Connector" specified in IEC standard publication 169-4 and is designed to be used as a test connector for all devices which use the general purpose 7-16 connector described in all three standards mentioned above.

Some of the unique features of this connector are:

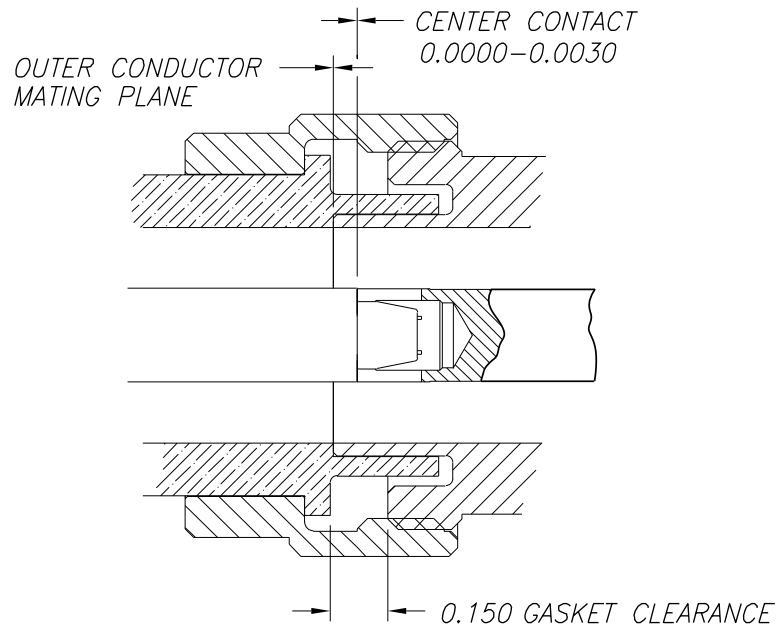
1. "0" nominal with .003 max. center conductor gap for a mated pair of connectors.
2. The retracted threads on the female connector avoids compressing the gasket when mating to a general purpose 7-16 male connector. This feature eliminates

the need to apply the recommended torque value of 18.5 to 22.0 ft. lbs. The use of this much torque when mating 7-16 connectors to devices under test could cause permanent damage to the test equipment.

3. Recommended torque value when mating these connectors to themselves or to general purpose 7-16 connectors is 20.0 in. lbs.
4. Solid construction of the female outer conductor eliminates variations in mating caused by slotted fingers.
5. These connectors employ a thicker dielectric design to eliminate deflection of the dielectric which can be caused by the high insertion force applied to the center conductor.



\* Prior to slotting and heat treat.



**Mated Pair  
7-16**