

PRECISION WR90 FLANGES

MPF90 AND MPF90A INTERFACE DIMENSIONS

MPF90

This flange mates with X band (WR90) military cover or choke flanges per MIL-F-3922 (UG39/U, UG40A/U etc.) and CPR90 flanges per RS-271A and MIL-F-3922/52 (flat or grooved), plus it has precision indexing holes for precision measurements¹. See **Figure 1**.

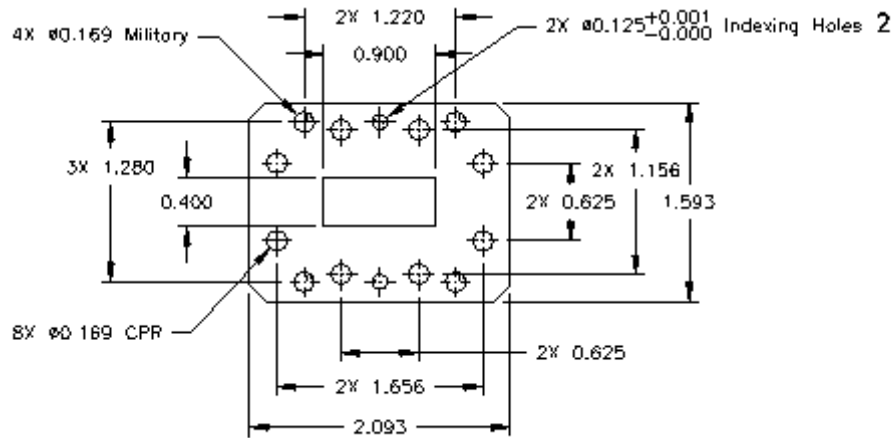


Figure 1

MPF90A

This flange mates with X band (WR90) military cover or choke flanges per MIL-F-3922 (UG39/U, UG40A/U etc.) and CMR90 flanges per RS-166, plus it has precision indexing holes for precision measurements¹. See **Figure 2**.

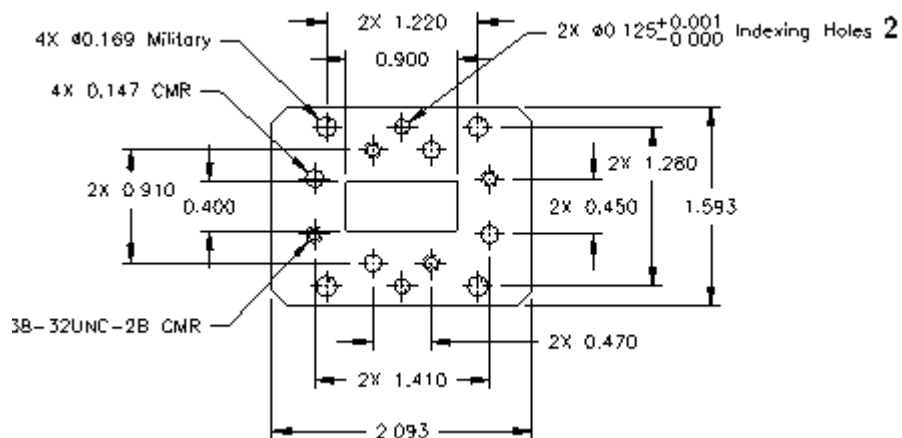


Figure 2

Notes

¹ Indexing pins are available, refer to Maury data sheet 3A-996. ² Refer to Maury drawing DS-060 for dimensions and tolerances.