

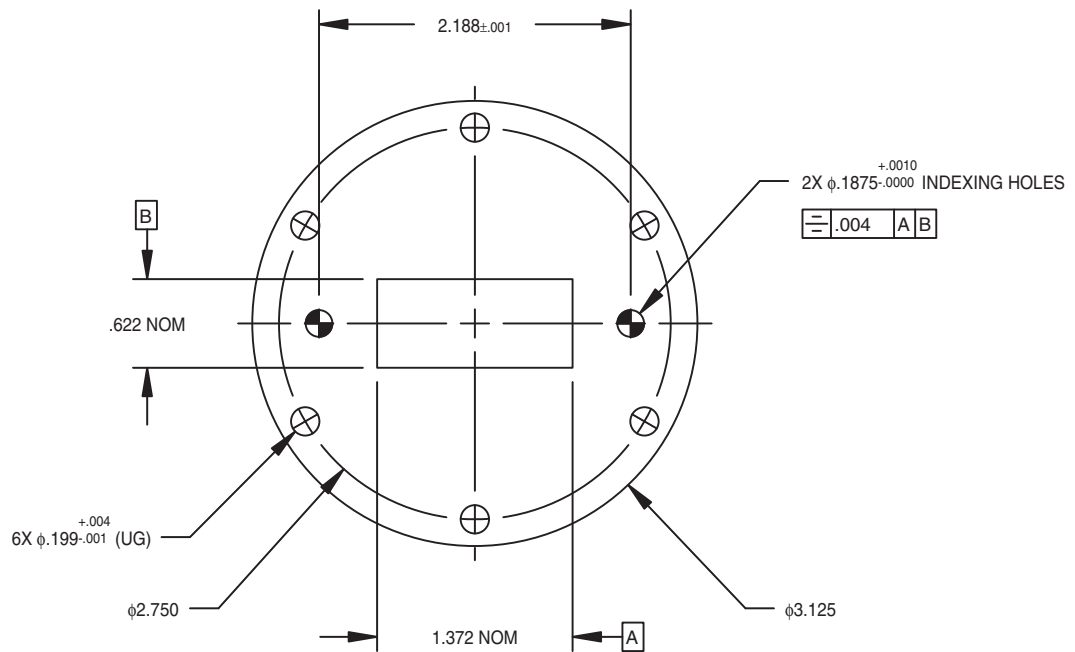
# MPF137C Precision Flange Interface

## Maury Precision Flange 137C; C Band

### Description

This Maury Precision Flange (MPF) is designed to mate with C Band (WR137) military cover or choke flanges per MIL-F-3922 (UG344/U, UG343A/U, etc.) A key feature of this design is the inclusion of precision indexing holes (typical of all MPF flanges). These indexing holes are configured for use with Maury

precision indexing pins W996-3-1, W996-3-2, or W997-3 (see Maury data sheet 3A-996). While this flange will mate with other compatible designs without the indexing holes/pins, their use significantly enhances measurement repeatability.



**Figure 1: MPF137C Flange Interface with Critical Dimensions**