

# INTERFACE DIMENSIONS

## APC7 COAXIAL CONNECTOR

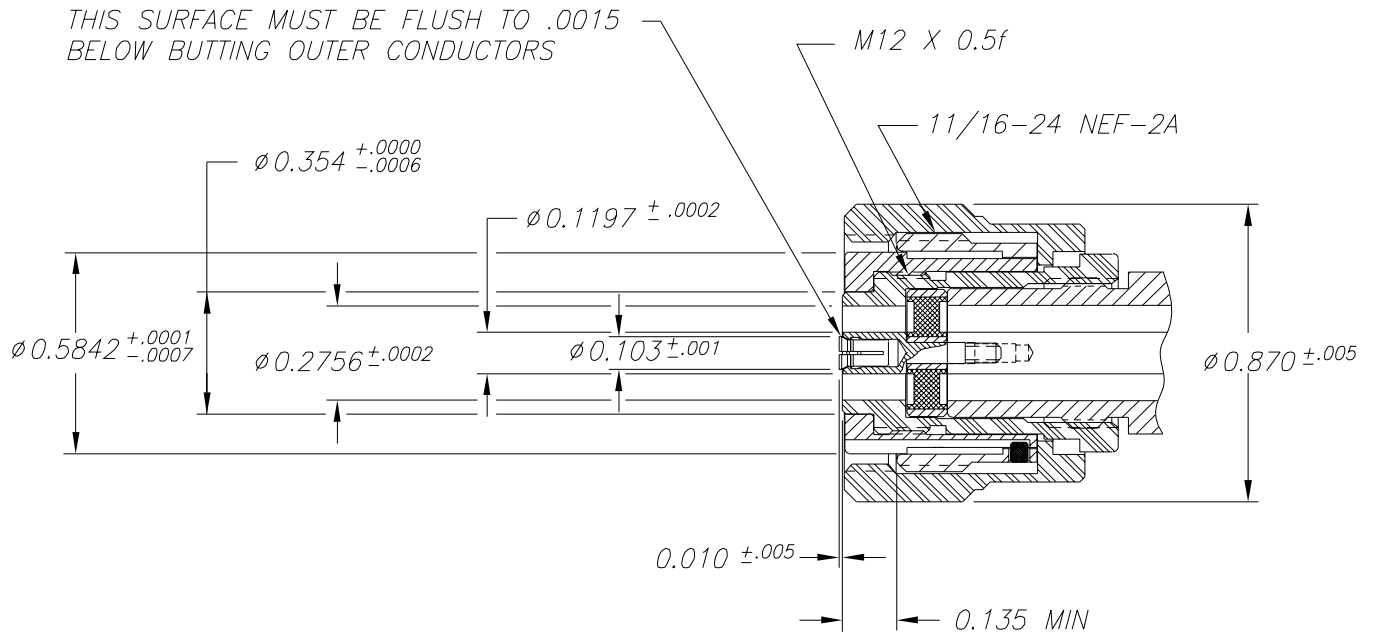


Figure 1: Sleeve retracted.

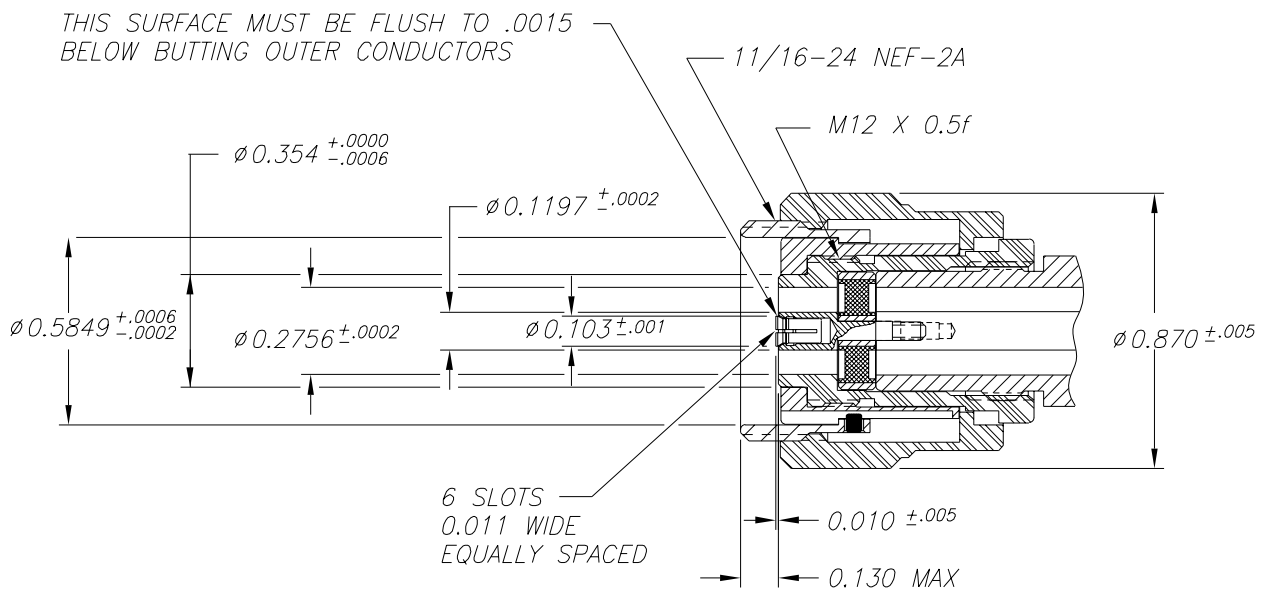
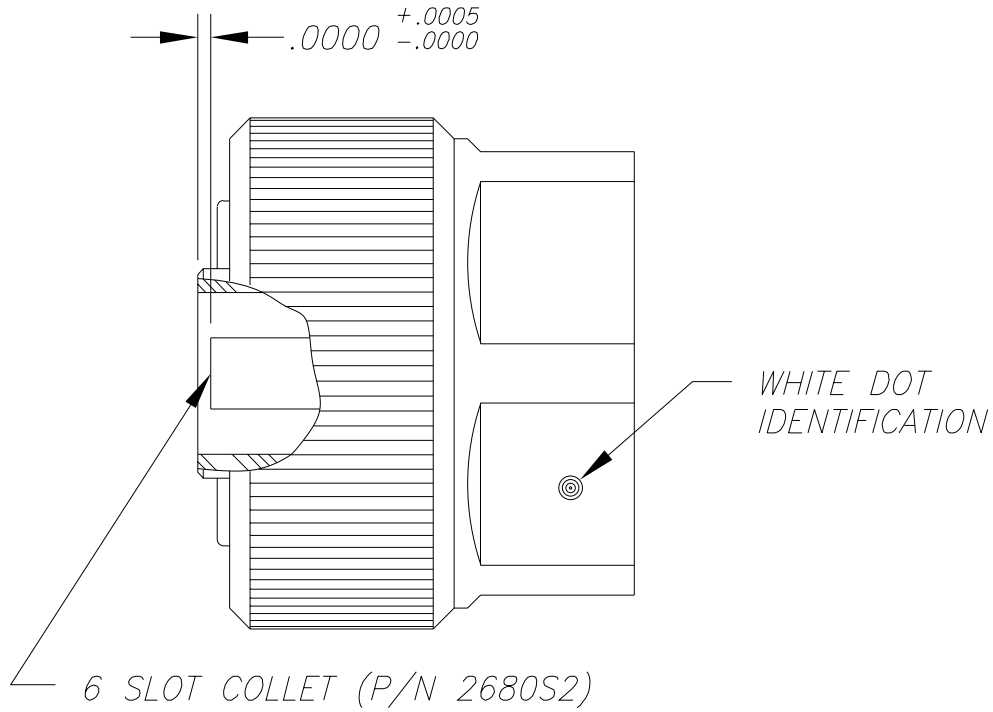


Figure 2: Sleeve extended.



**Figure 3:** High precision APC7 connector (white dot). Used on test ports and calibration devices when specified on data sheet/manual.