

PRECISION TNC CONNECTORS (MPC/TNC)

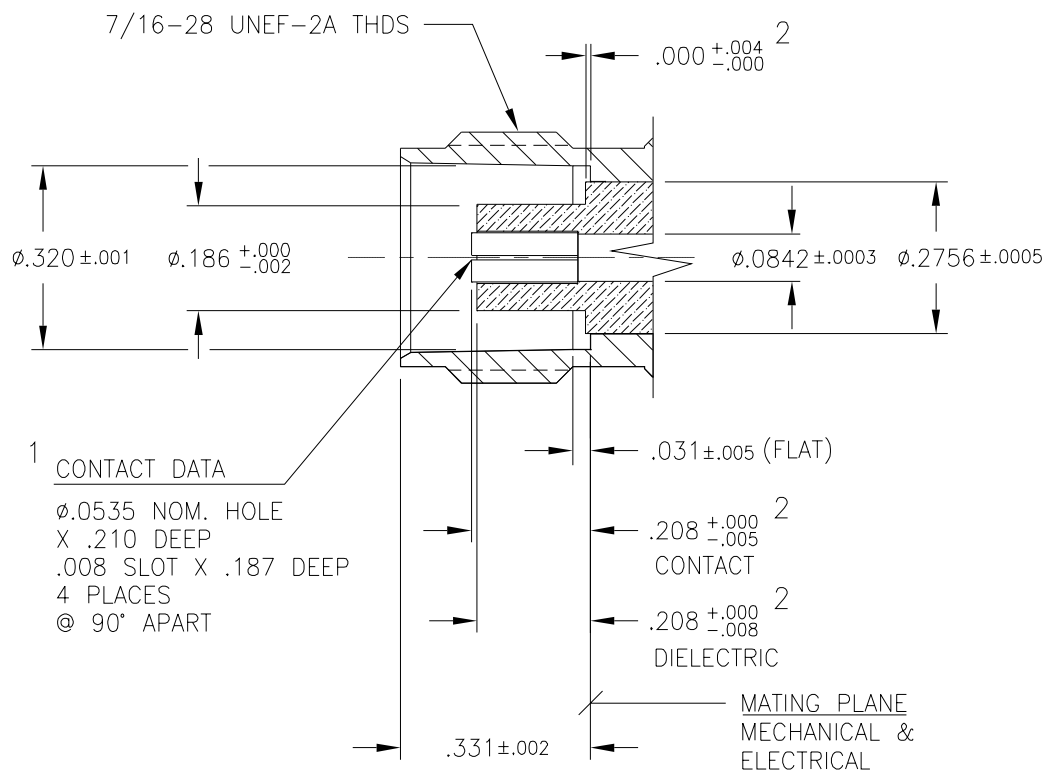
INTERFACE DIMENSIONS AND CRITICAL COAXIAL LINE PARAMETERS

Description

Maury precision TNC connectors are designated as MPC/TNC and the critical interface parameters are provided below. These connectors exhibit extremely low VSWR in a mated pair and are rated from DC to 18 GHz. MPC/TNC connectors mate with most TNC connector versions in use today, and specifically with MIL-C-39012/26, /27 and test connectors and MIL-T-81490 connectors. The connector bodies are

normally made from stainless steel (other materials are used for specific applications), and are supplied with either gold plated and heat treated beryllium copper contacts for the female connectors or gold plated brass contacts for the male connectors. MPC/TNC connectors are provided on a variety of Maury precision components and can be provided on most other components upon request.

Female Connector

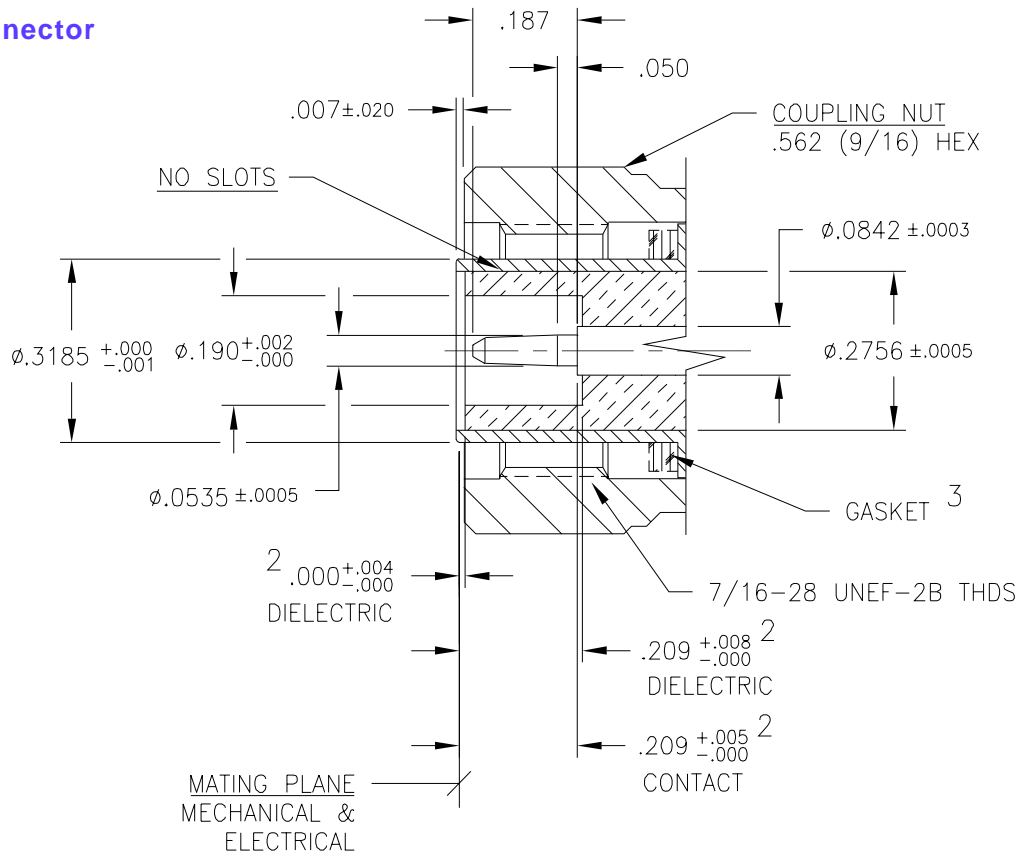


¹ The diameter over the slots shall be $0.0842 \pm .001$ diameter with a $0.0535 \pm .00005$ diameter x .050 pin inserted in the contact.

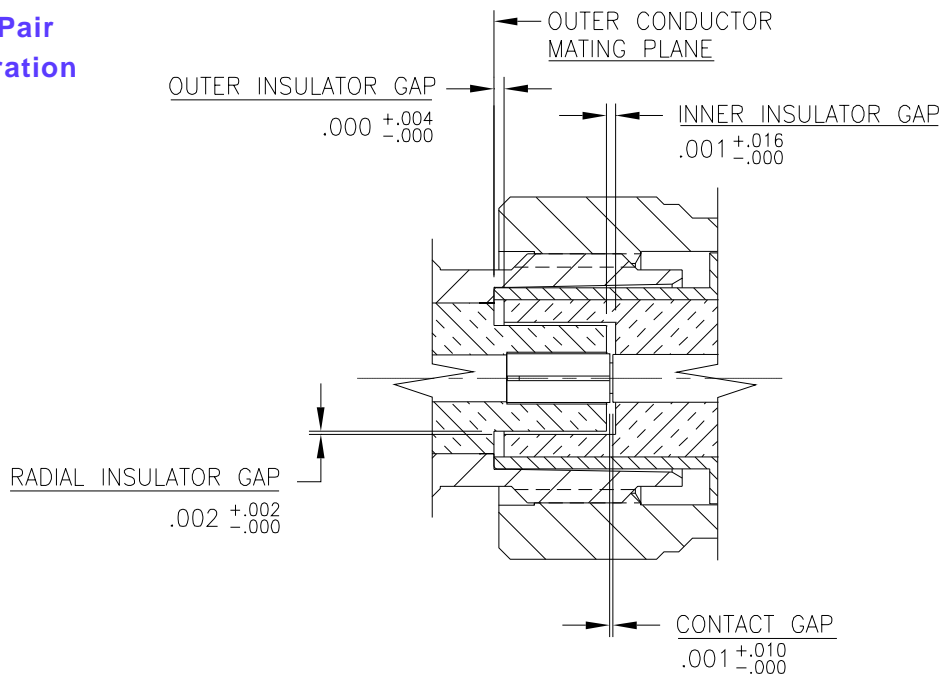
² Dimensions flagged with this note can be inspected with connector gage model A012A only.



Male Connector



Mated Pair Configuration



³ Gasket can be utilized where weather proofing is required, not normally provided.