

Type N Adapters (75 ohm) – Phase Matched

8882 Series

Description

The 8882 type N 75 ohm adapters are manufactured with a precision version of the Maury type N interface. To help prevent the inadvertent mating of these 75 ohm adapters to 50 ohm type N connectors, a black band is incised into these adapters on the male coupling nut, or just behind the female coupling threads. 75 ohm N center conductors are smaller than 50 ohm versions, so mating a 50 ohm male to a 75 ohm female will destroy the female contact. Mating a 75 ohm male to a 50 ohm female will result in a poor electrical connection.

These adapters are phase matched (having the same electrical insertion length) within their series so they may be readily interchanged in network analyzer measurement applications, and for accurate measurement of non-insertable devices.



8882E1 8882E2 8882G12 8882G22

Connector Description

Maury type N, 75 ohm connectors are a precision version of the Maury type N interface which meets all applicable requirements of IEC169-16. They exhibit extremely low VSWR and although rated to 2.0 GHz, they can be used at much higher frequencies. The male connectors are provided with a 3/4-inch hex coupling nut so they can be properly torqued to 12 in. lbs. See Maury data sheet 5E-054 for interface dimensions.

Specifications

Frequency Range DC – 2.0 GHz

Maximum VSWR:

- 8882A/B/C 1.03
- All 75 ohm to 50 ohm models 1.5 (75/50 ohm) typical (calibrated out during the measurement calibration process)

Nominal Impedance 75 ohm

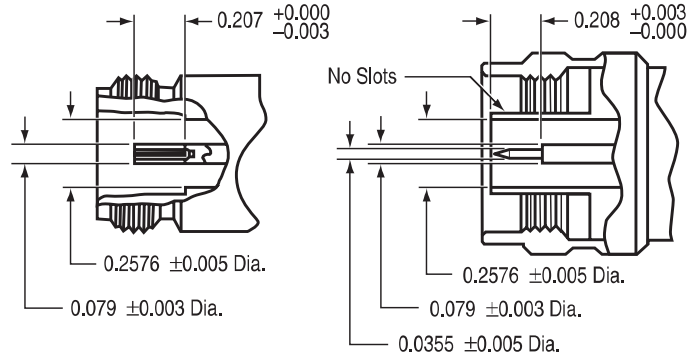
Available Models (In-Series)

MODEL	ADAPTS		INSERTION LENGTH	
	SIDE A	SIDE B	INCHES	(CM)
8882A	Type N (F) 75 Ω ¹	Type N (F) 75 Ω ¹	2.768	(7.0307)
8882B	Type N (M) 75 Ω ¹	Type N (M) 75 Ω ¹	2.768	(7.0307)
8882C	Type N (F) 75 Ω ¹	Type N (M) 75 Ω ¹	2.768	(7.0307)

¹ Precision Type N - 75 ohm per Maury data sheet 5E-054.
² NMD3.5mm per Maury data sheet 5E-084.
³ Precision 3.5mm per Maury data sheet 5E-062.

Interface Dimensions

Contact Pin Location



Available Models (Between-Series)

MODEL	ADAPTS		INSERTION LENGTH	
	SIDE A	SIDE B	INCHES	(CM)
8882E1	NMD3.5mm (F) 50 Ω ²	Type N (F) 75 Ω ¹	1.003	(2.5476)
8882E2	NMD3.5mm (F) 50 Ω ²	Type N (M) 75 Ω ¹	1.603	(4.0716)
8882G11	Type N (F) 75 Ω ¹	3.5mm (F) 50 Ω ³	1.748	(4.4399)
8882G12	Type N (F) 75 Ω ¹	3.5mm (M) 50 Ω ³	1.748	(4.4399)
8882G21	Type N (M) 75 Ω ¹	3.5mm (F) 50 Ω ³	1.748	(4.4399)
8882G22	Type N (M) 75 Ω ¹	3.5mm (M) 50 Ω ³	1.748	(4.4399)
8882D1	Type N (F) 75 Ω ¹	7mm 50 Ω ⁴	2.277	(5.7836)
8882D2	Type N (M) 75 Ω ¹	7mm 50 Ω ⁴	2.277	(5.7836)
8882F11	Type N (F) 75 Ω ¹	Type N (F) 50 Ω ⁵	2.634	(6.6904)
8882F12	Type N (F) 75 Ω ¹	Type N (M) 50 Ω ⁵	2.634	(6.6904)
8882F21	Type N (M) 75 Ω ¹	Type N (F) 50 Ω ⁵	2.634	(6.6904)
8882F22	Type N (M) 75 Ω ¹	Type N (M) 50 Ω ⁵	2.634	(6.6904)

⁴ Precision 7mm per Maury data sheet 5E-060.
⁵ Precision type N per Maury data sheet 5E-049.

Key Literature: Maury data sheet 2B-031.