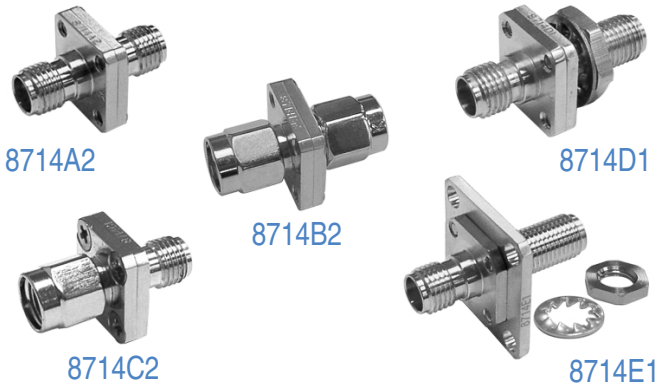
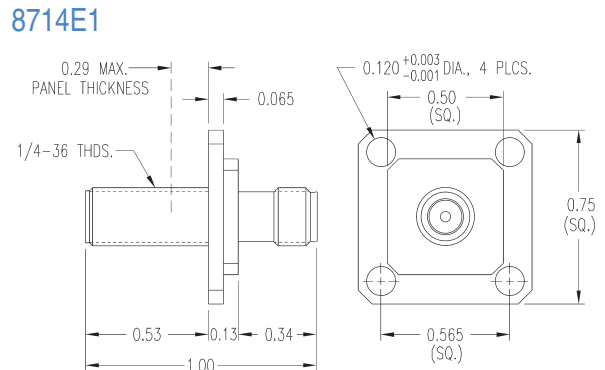
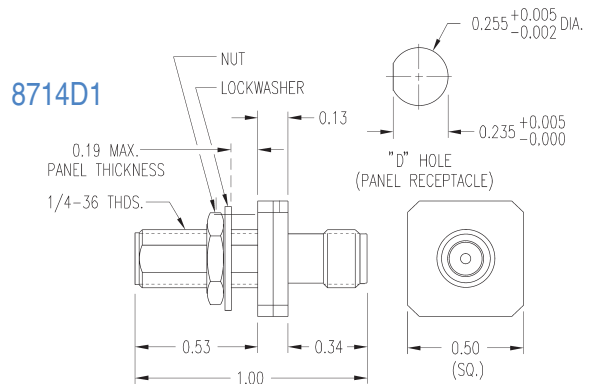
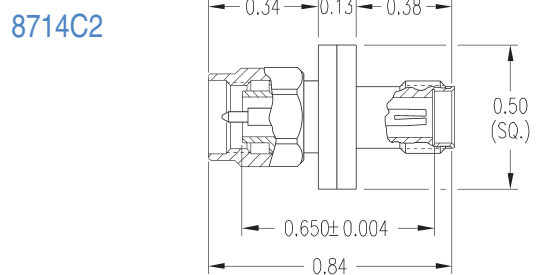
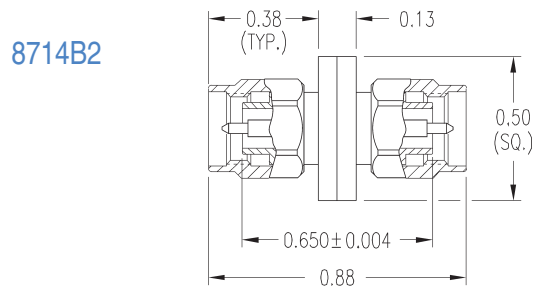
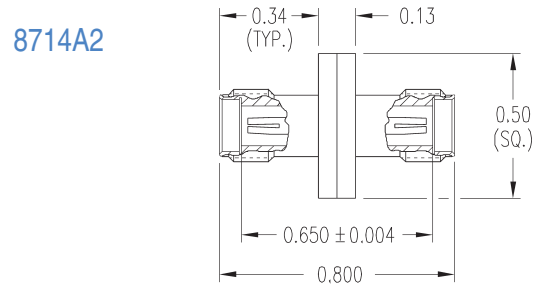


## 2.92mm (K) In-Series Adapters

Models 8714A2/B2/C2/D1/E1



### Dimensions – Inches (cm)



### Description

Maury precision 2.92mm (K) in-series adapters are low VSWR and low loss devices that operate from DC to 40 GHz. The models 8714A2, B2 and C2 offer all combinations for adapting and are ideal for using with precision measurement applications. These adapters are minimum length, phase matched and feature a square-flange body for ease of connecting and prevents rolling off tables. They are useful as “test port savers” when used with vector network analyzers such as the Agilent 8510, etc. The 8714D1 and 8714E1 are bulkhead and panel mount feedthru adapters respectively, designed for instrumentation applications.

### Specifications

Frequency Range	DC – 40 GHz
Maximum VSWR	DC - 4.0 GHz, 1.05
	4.0 - 20.0 GHz, 1.08
	20.0 - 40.0 GHz, 1.12
Impedance	50 ohm
Connectors	2.92mm (K) per Maury data sheet 5E-063

### Available Models

MODEL	ADAPTS		INSERTION LENGTH	
	FROM	TO	INCHES	(CM)
8714A2	2.92mm female <sup>1</sup>	2.92mm female <sup>1</sup>	0.65	(1.65)
8714B2	2.92mm male <sup>1</sup>	2.92mm male <sup>1</sup>	0.65	(1.65)
8714C2	2.92mm female <sup>1</sup>	2.92mm male <sup>1</sup>	0.65	(1.65)
8714D1	2.92mm female <sup>1</sup>	2.92mm female <sup>1</sup>	0.85	(2.15)
8714E1	2.92mm female <sup>1</sup>	2.92mm female <sup>1</sup>	0.85	(2.15)

<sup>1</sup> Precision 2.92mm per Maury data sheet 5E-063

Key Literature: Maury data sheet 2B-003