

1.85mm Between-Series Adapters

Models 7824A/B/C/D, 7826A/B/C/D and 7827A/B/C/D

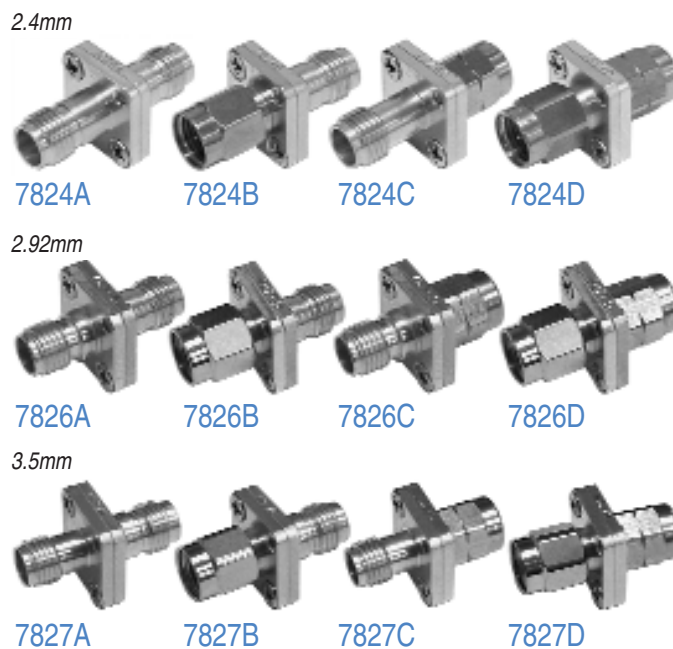
Description

The precision adapters in these model series are designed to allow devices with 1.85mm connectors to mate with devices and cables bearing 2.4mm, 2.92mm, or 3.5mm connectors. When properly mated, they provide a low VSWR connection with low insertion loss and high repeatability. Made of highly durable materials, these adapters are ideal for use in laboratory and production environments where frequent connect/disconnect cycles occur.

These adapters are **phase matched within each model series**, so that they may be easily interchanged for VNA measurement of non-insertable devices. Outline dimensions are shown on pages 100 and 101.

1.85mm Connector Description

The precision 1.85mm connectors on these adapters are miniature, instrument grade, air-interface connectors that are rated for operation from DC to 67 GHz, but may be used up to 70 GHz. They comply with IEEE standard 287 for instrument grade general precision connectors (GPC1.85).



Available Models

MODEL	ADAPTS		FREQUENCY RANGE (GHz) AND MAXIMUM VSWR	NOMINAL IMPEDANCE	INSERTION LENGTH	
	SIDE A	SIDE B			INCHES	(CM)
7824A	1.85mm female ¹	2.4mm female ²	DC — 26.5 ≤ 1.06	50 ohm	0.75	(1.905)
7824B	1.85mm female ¹	2.4mm male ²	26.5 — 40.0 ≤ 1.10	50 ohm	0.75	(1.905)
7824C	1.85mm male ¹	2.4mm female ²	40.0 — 67.0 ≤ 1.15	50 ohm	0.75	(1.905)
7824D	1.85mm male ¹	2.4mm male ²		50 ohm	0.75	(1.905)
7826A	1.85mm female ¹	2.92mm female ³	DC — 4.0 ≤ 1.05	50 ohm	0.657	(1.669)
7826B	1.85mm female ¹	2.92mm male ³	4.0 — 20.0 ≤ 1.08	50 ohm	0.657	(1.669)
7826C	1.85mm male ¹	2.92mm female ³	20.0 — 40.0 ≤ 1.12	50 ohm	0.657	(1.669)
7826D	1.85mm male ¹	2.92mm male ³		50 ohm	0.657	(1.669)
7827A	1.85mm female ¹	3.5mm female ⁴	DC — 4.0 ≤ 1.05	50 ohm	0.657	(1.669)
7827B	1.85mm female ¹	3.5mm male ⁴	4.0 — 26.5 ≤ 1.08	50 ohm	0.657	(1.669)
7827C	1.85mm male ¹	3.5mm female ⁴	26.5 — 34.0 ≤ 1.12	50 ohm	0.657	(1.669)
7827D	1.85mm male ¹	3.5mm male ⁴		50 ohm	0.657	(1.669)

1.85mm In-Series Adapters

Models 7821A/B/C

Available Models



MODEL	ADAPTS		FREQUENCY RANGE (GHz) AND MAXIMUM VSWR	NOMINAL IMPEDANCE	INSERTION LENGTH	
	SIDE A	SIDE B			INCHES	(CM)
7821A	1.85mm female ¹	1.85mm female ¹	DC — 26.5 ≤ 1.06	50 ohm	0.75	(1.905)
7821B	1.85mm male ¹	1.85mm male ¹	26.5 — 40.0 ≤ 1.10	50 ohm	0.75	(1.905)
7821C	1.85mm female ¹	1.85mm male ¹	40.0 — 67.0 ≤ 1.15	50 ohm	0.75	(1.905)

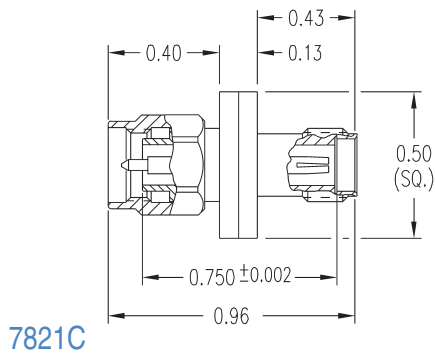
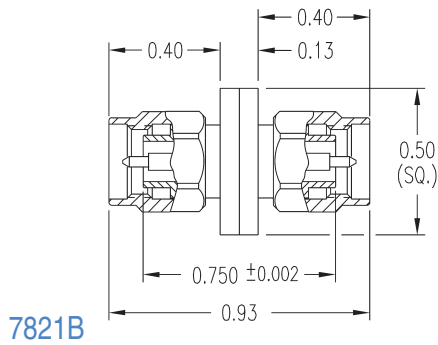
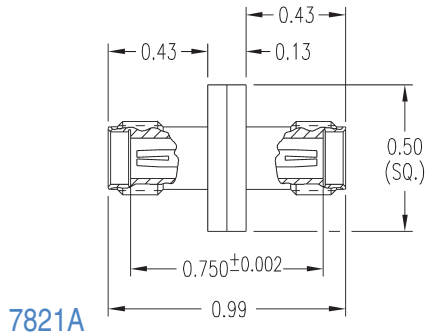
¹ Precision 1.85mm per Maury data sheet 5E-089. ³ Precision 2.92mm per Maury data sheet 5E-063.

² Precision 2.4mm per Maury data sheet 5E-064. ⁴ Precision 3.5mm per Maury data sheet 5E-062.

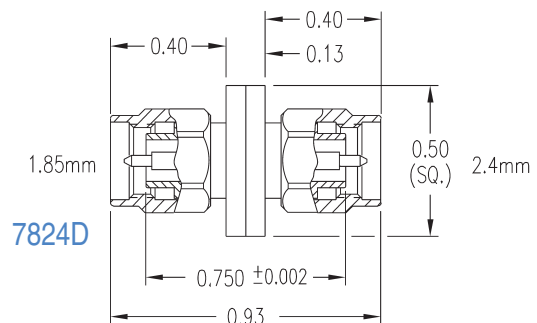
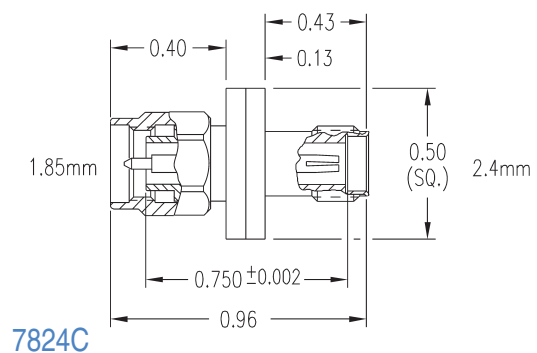
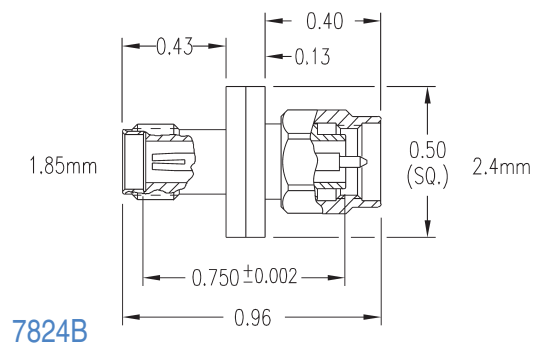
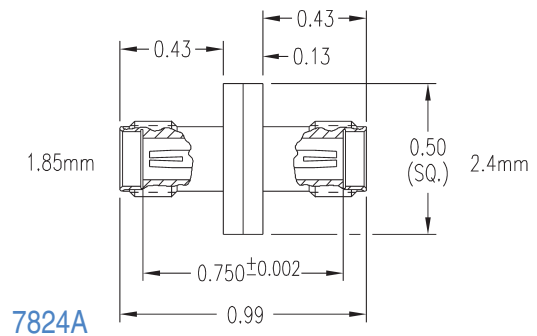
Key Literature: Maury data sheet 2B-070, 2B-071, 2B-072, 2B-073.

1.85mm Adapter Dimensions (Inches)

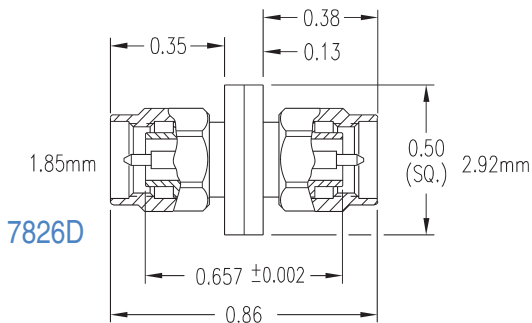
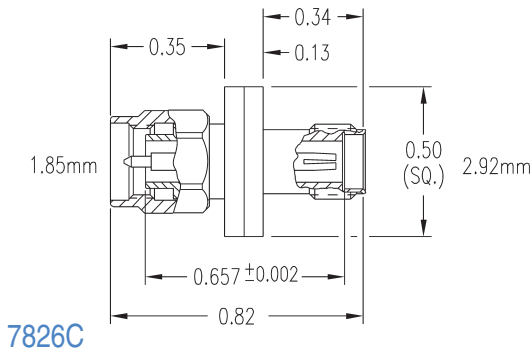
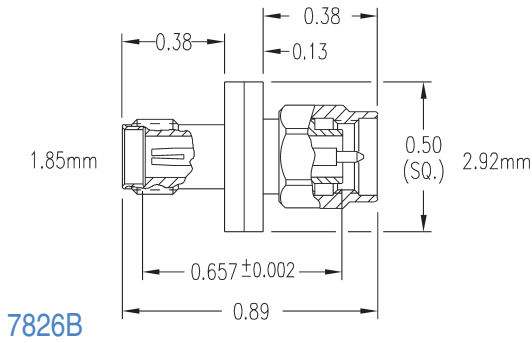
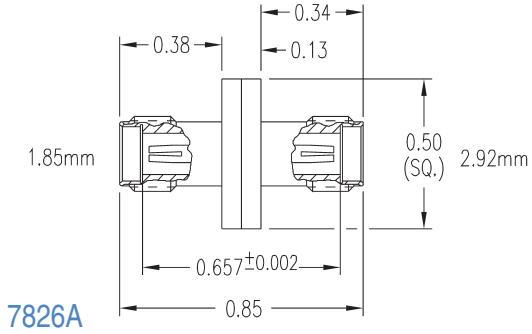
Models 7821A/B/C and 7802A



Models 7824A/B/C/D



Models 7826A/B/C/D



Models 7827A/B/C/D

