

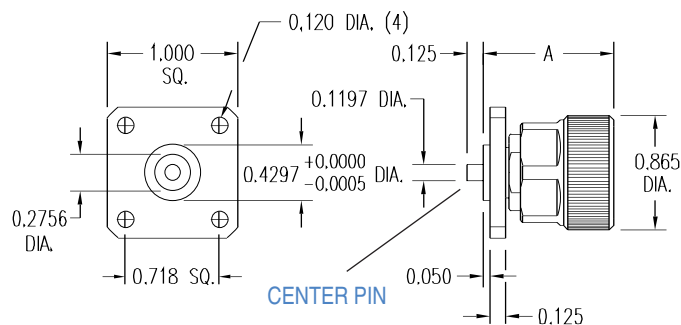
7mm Precision Connectors

2680B1/C1 – Panel Mount Connectors

Description

Two flanged connectors are available. Model 2680C1 has a removable flange and center pin with a 0.093 hole solder pot. Model 2680B1 is essentially a rigid line type connector with an integral flanged body that receives an air line like model 2680A1. Both models exhibit the same basic electrical characteristics as model 2680A1.

MODEL	DESCRIPTION	DIMENSION "A"	
		INCHES	(CM)
2680B1	7mm Sexless with integral flange	1.200	(3.048)
2680C1	7mm Sexless with removable flange and contact pin	0.950	(2.413)



Note: Dimensions show are for 2680C1 only.

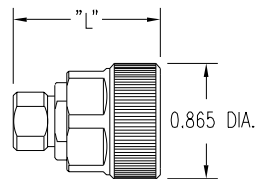
7mm Precision Semi-Rigid Cable Connectors

2681 Series

Description

These connectors are designed for easy assembly with semi-rigid coaxitube cables. The design includes a threaded female bushing that attaches to the cable. This bushing is soldered in place, then threaded into the back of the 7mm connector body.

The 7mm connectors exhibit the same basic electrical characteristics as model 2680A1, and the finished assembly provides a highly stable, highly repeatable connection that is rated for a frequency range from DC to 12.4 GHz, but is usable to 18 GHz.



MODEL	FOR USE WITH	MAX. VSWR (DC-12.4 GHZ)	LENGTH ("L")	
			INCHES	(CM)
2681C1	0.141 dia. copper coaxitube	1.15	1.5	(3.81)
2681D1	0.250 dia. copper coaxitube	1.12	1.5	(3.81)
2681E1	0.325 dia. copper coaxitube	1.10	1.5	(3.81)

Proper Connector Care

To insure the best electrical performance, prevent serious damage and obtain the most accurate measurements, you must always check the critical interface dimensions of your connectors before mating.

Destructive interference will result if contacts protrude beyond the conductor mating planes. This can cause buckling of the female contact fingers or damage to associated equipment. Excessive gaps between mated contacts or dielectrics can produce undesirable high reflections and reduced power handling. Such out-of-tolerance conditions may result in impaired electrical performance and damage to mated connectors. See page 92 for a complete list of Maury connector gages and gage kits.