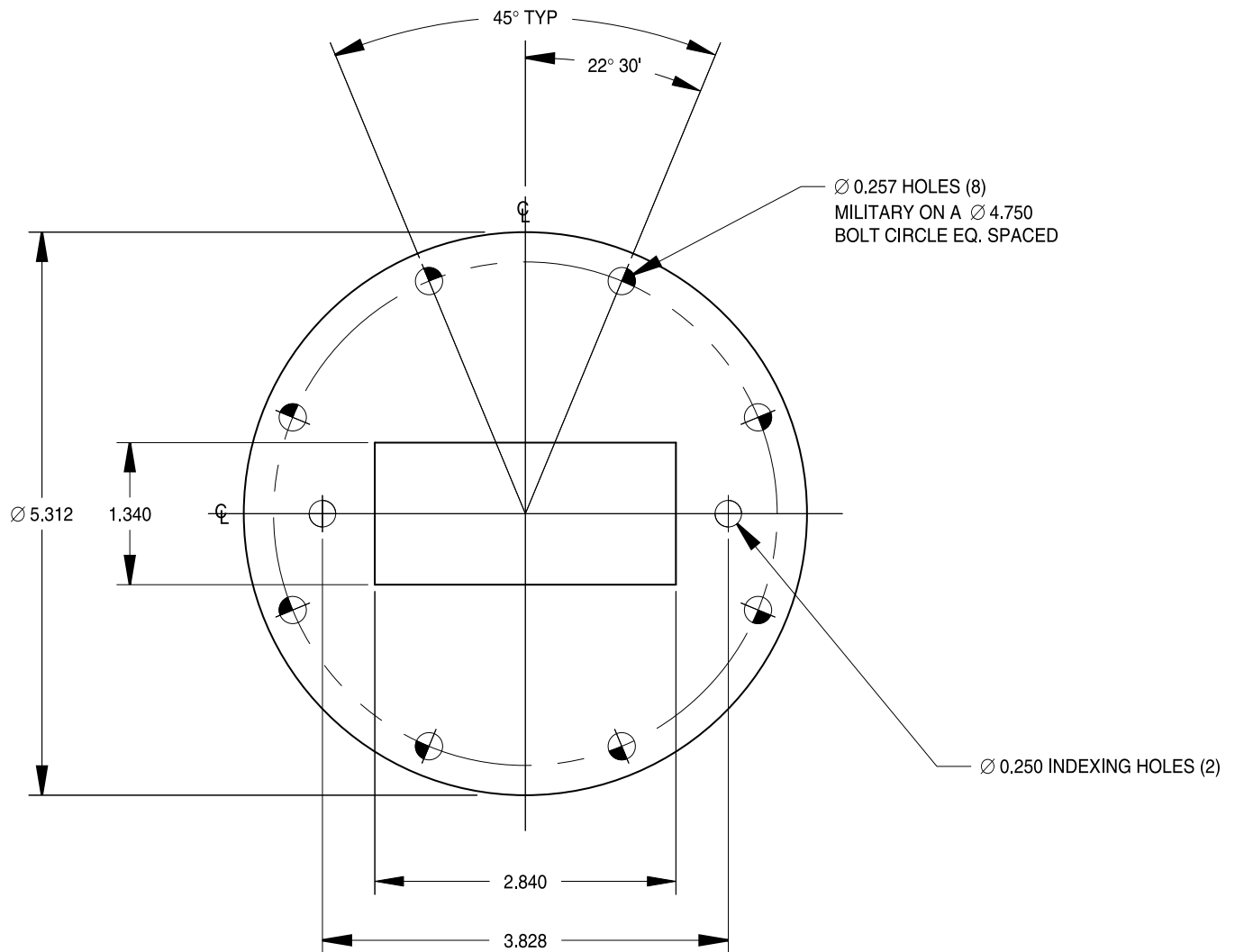


PRECISION WR284 FLANGES

MPF284C INTERFACE DIMENSIONS

This flange mates with S band (WR284) military cover or choke flanges per MIL-F-3922 (UG53/U, UG54A/U etc.) and has precision indexing holes for precision measurements¹. See [Figure 1](#).



NOTE: HOLE PATTERNS ARE SYMETRICAL TO CENTERLINE UNLESS OTHERWISE SPECIFIED.

Figure 1.

Notes

- ¹ Indexing pins are available, refer to Maury data sheet 3A-996. ² Refer to Maury drawing DS094 for dimensions and tolerances.