

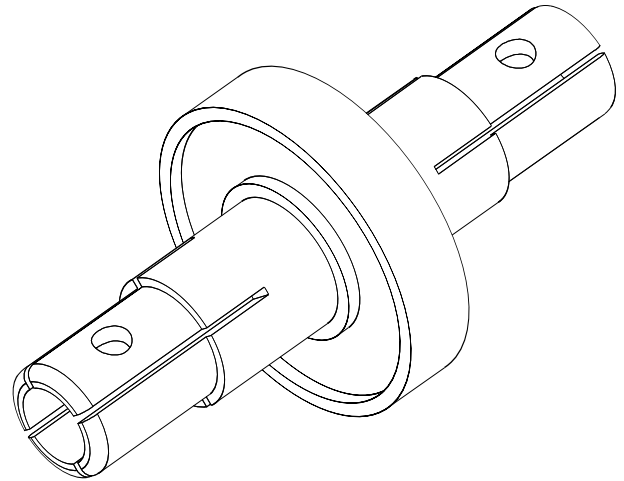
PRECISION EIA BULLETS

CENTER CONDUCTOR CONNECTORS

Description

Maury's precision EIA bullets are improved extremely low reflection center conductor connectors for EIA 50 ohm rigid coaxial lines. These bullets employ coplanar impedance compensation which virtually eliminates reflections from the teflon dielectric bead support and they are shorter than their standard EIA counterpart. Removal of the bullet is convenient by thru holes provided in the nonelectrical portion of each end where a pin can be inserted to extract the bullet from a transmission line (refer to chart for extracting pin number). This eliminates the possibility of damage which can be experienced when using standard type bullets.

These bullets are precision machined from beryllium copper, properly heat treated, and then silver plated and rhodium flashed to prevent tarnishing. They are available for 7/8 and 1-5/8 EIA rigid coaxial lines.



Model	Line Size EIA	Frequency Range GHz	Rated * VSWR	A	B	C	D	Extracting Pin No.
2002A	7/8	DC — 4.0	<1.01**	1.68	0.368	0.186	0.815	2002-3
2102A	1-5/8	DC — 2.5	<1.01	2.25	0.460	0.250	1.647	2102-3

* Rating based on using Maury precision flanges.

** Rated 1.02 maximum, 2.5 to 4.0 GHz.

