

# PRECISION 14mm CONNECTORS

## IMPROVED HEX/KNURL NUTS AND TORQUE WRENCH

### Model 2498N1

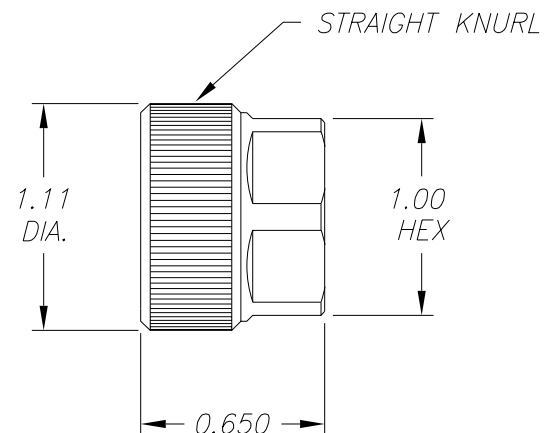
The 2498N1 is an improved hex/knurl coupling nut designed for use with MPC14 (GR900 connectors). It consists of an 1.00 hex portion for tightening with a torque wrench and a knurled portion which provides a positive grip for finger tightening. This coupling nut can be substituted for existing fluted type coupling nuts to provide a nut that can be accurately torqued by using a torque wrench (see photo of model 2498T1) and to reduce operator finger abrasion normally experienced with conventional fluted nuts. By using this nut and torquing the coupled junction, measurement repeatability and accuracy is greatly enhanced.

**Note:** This new coupling nut utilizes a new plastic slip-on cover (model K999D) sold in bags of 10 each.



Model 2498N1

### Dimensions for Model 2498N1



### Model 2498T1

This is a torque wrench preset to 12.0±0.4 in. lbs. with a 1.00 hex tip for torquing MPC14, LPC14 connectors and GR900 connectors which have been converted to 1.00 hex nuts (see photo of model 2498N1). Measurement repeatability and accuracy is greatly enhanced by torquing a coupled connector junction.



Model 2498T1