

PRECISION 3.5mm SHORT CIRCUITS

Description

The Maury 8046A through F and 8047A through F are 3.5mm fixed and offset shorts (see chart). The fixed shorts are actually 0.5cm offset from the mechanical interface. The offset shorts are designed to cover the frequency range of 2 to 34 GHz. The primary application of the offset shorts is in the calibration of a vector network analyzer (VNA). Additional applications include open circuit characterization, calibration accuracy verification and open/short scalar network analyzer (SNA) calibration. Each short features a precision 3.5mm connector.

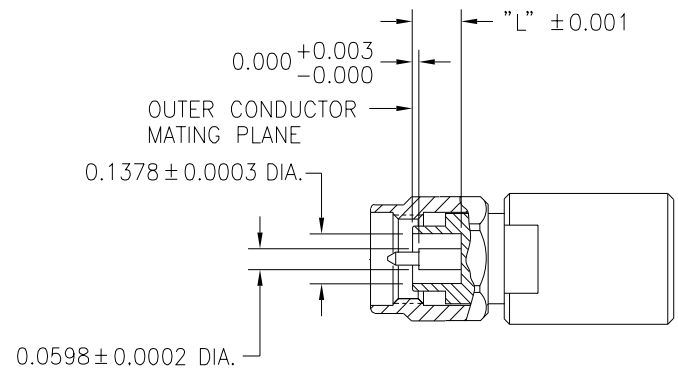
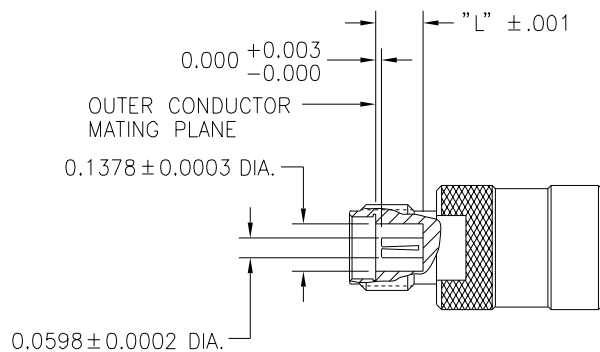


Specifications

Frequency Range DC to 34 GHz
Reflection Coefficient 0.98 minimum
Offset Length See chart

Offset Length Accuracy ± 0.001
Impedance 50 ohms nominal

Dimensions



Model		Description	Frequency Range (GHz)	Offset Length		"L" Mechanical Length Outer Conductor	
Female	Male			Inches ¹	(cm)	Inches	(cm)
8046A	8047A	Offset short #4	2.0 — 4.0	0.9833	(2.498)	1.1803	(2.998)
8046B	8047B	Offset short #5	4.0 — 8.0	0.4915	(1.248)	0.6885	(1.749)
8046C	8047C	Offset short #6	8.0 — 12.4	0.2892	(0.735)	0.4862	(1.235)
8046D	8047D	Offset short #7	12.4 — 18.0	0.2070	(0.526)	0.4040	(1.026)
8046E	8047E	Offset short #8	18.0 — 26.5 ²	0.1325	(0.337)	0.3295	(0.837)
8046F	8047F	Fixed short 0.5cm	DC — 34.0	—	—	0.1970	(0.500)

¹ Dimensioned from the shorting plane established by the models 8046F and 8047F fixed shorts.

² Useable to 34 GHz.