

PRECISION STANDARD MISMATCHES

2.92mm DC TO 40 GHz

Features

- Broadband DC to 40 GHz
- Accurate
- Precision Connectors
- Calibration Provided

Description

Maury 2.92mm precision mismatches are fixed coaxial terminations which are used to introduce a known VSWR into a 50 ohm transmission line system. These mismatches are rated from DC to 40 GHz, and are available in eight mismatch values. They are supplied with precision 2.92mm female or male connectors and are furnished calibrated from 2 to 40 GHz utilizing a precision vector network analyzer.

These mismatches are quality constructed using stable thin film resistors and a unique grounding method to insure stable performance. The VSWR value of the mismatch is engraved on the end cap for ease of identification.

Standard mismatches are extremely useful in a wide variety of calibration and verification applications and are quick and easy to use. They can be used to calibrate swept frequency set-ups utilizing couplers or bridges and scalar analyzers, verify automatic network analyzer calibration (vector or scalar), establish impedance references in TDR measurements, etc.

A mismatch set is available as described below. Special mismatch values (VSWR or return loss) can be readily provided as well as special sets to meet your specific application.

Model 8778A1.10



Model 8778B1.10

Specifications

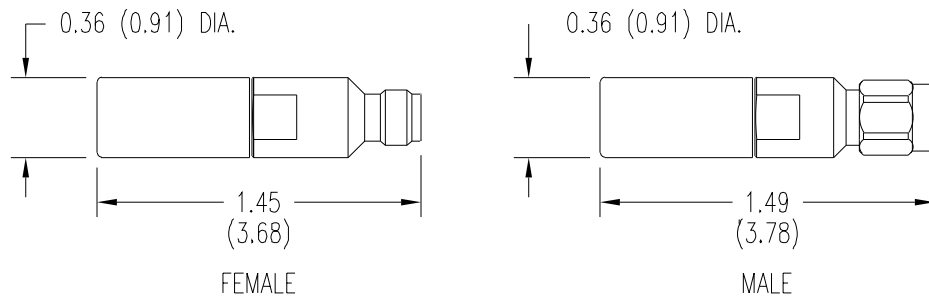
Frequency Range	DC to 40 GHz
VSWR Nominal	See chart
VSWR Accuracy	See chart
Calibration Provided	VNA data 2 to 40 GHz
Calibration Impedance	50 ohms nominal
Power Handling	0.5 W average, 0.5 kW peak
Size	See <i>Dimensions</i>
Weight	0.5 oz. (0.57 gr.)
Connectors	2.92mm female or male ¹

Model		Nominal VSWR	Accuracy	
Female	Male		DC — 12 GHz	12 — 40 GHz
8778A1.10	8778B1.10	1.10	±0.08	±0.13
8778A1.15	8778B1.15	1.15	±0.08	±0.13
8778A1.20	8778B1.20	1.20	±0.08	±0.13
8778A1.25	8778B1.25	1.25	±0.08	±0.13
8778A1.30	8778B1.30	1.30	±0.09	±0.17
8778A1.50	8778B1.50	1.50	±0.10	±0.20
8778A1.75	8778B1.75	1.75	±0.12	±0.22
8778A2.00	8778B2.00	2.00	±0.14	±0.25

¹ For 2.92mm (APC3.5) interface information, refer to 5E-063.



Dimensions



DIMENSIONS IN INCHES (cm)

Mismatch Set—Model 8778K

These mismatches are also available in a set, consisting of six female/male mismatch values 1.10, 1.20, 1.30, 1.50, 1.75, and 2.00 supplied in a wood instrument case with a calibration report.

