

PRECISION TEST PORT ADAPTERS

MPC14 TO NMD3.5mm FEMALE ADAPTERS

Features

- High Precision Interface
- Equivalent & Compatible To GR 900 Type Connectors
- Low VSWR
- DC To 8.5 GHz



Model 2433A1

Description

The Maury 2433A1 is a MPC14 to NMD 3.5mm female precision test port adapter. The MPC14 connector is a 14mm connector that is equivalent to and compatible with GR900 type connectors. MPC14 connectors employ a 1.00 inch hex/knurl coupling nut to enable accurate torquing of a mated connector junction. The NMD 3.5mm female connector is designed to mate with the special male connector (3.5mm or 2.92mm) used on vector network analyzers such as the Agilent 8510, 8720 and Anritsu 360. The 2433A1 is fabricated from stainless steel and beryllium copper alloy for excellent electrical characteristics and durability. Each unit is 100% tested and is provided with VNA calibration to 8.5 GHz.

Specifications

Frequency Range DC to 8.5 GHz
 VSWR..... $1.01 + .008f$ (GHz)
 Nominal Impedance..... 50 ohms
 Dimensions See **Figure 1**

Dimensions

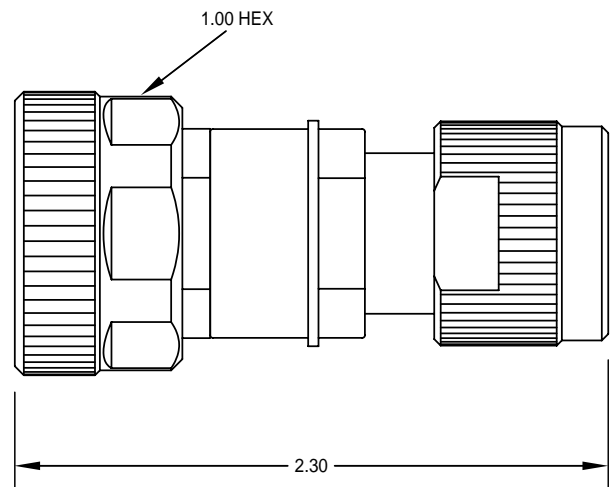


Figure 1. Model 2433A1