

# 1-5/8 EIA COAX TO COAX ADAPTER

Models 2111B, 2112B, and 2618

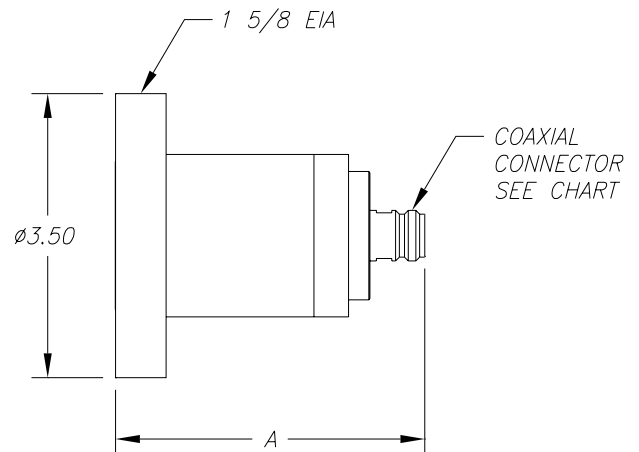


## Description

Maury produces a precision line of low VSWR broadband adapters from 1-5/8 EIA to other coaxial connectors. The chart below shows the various models that are available. Please contact our Sales Department for application assistance and/or additional information on these adapters.

**Caution:** Maury precision 1-5/8 EIA devices are designed to be used with our precision bullets, model 2102A (refer to Maury data sheet 2K-051), for optimum performance. Conventional EIA bullets are longer and may cause damage as well as degrade electrical performance.

## Dimensions



## Chart

Model No.	Frequency Range GHz	Connector Type	Maximum VSWR	Dimension "A" in inches
2111B	DC to 2.5	Type N Female	DC to 1.0 GHz	3.81
2112B		Type N Male	1.0 to 2.5 GHz	3.90
2618		7mm		3.94